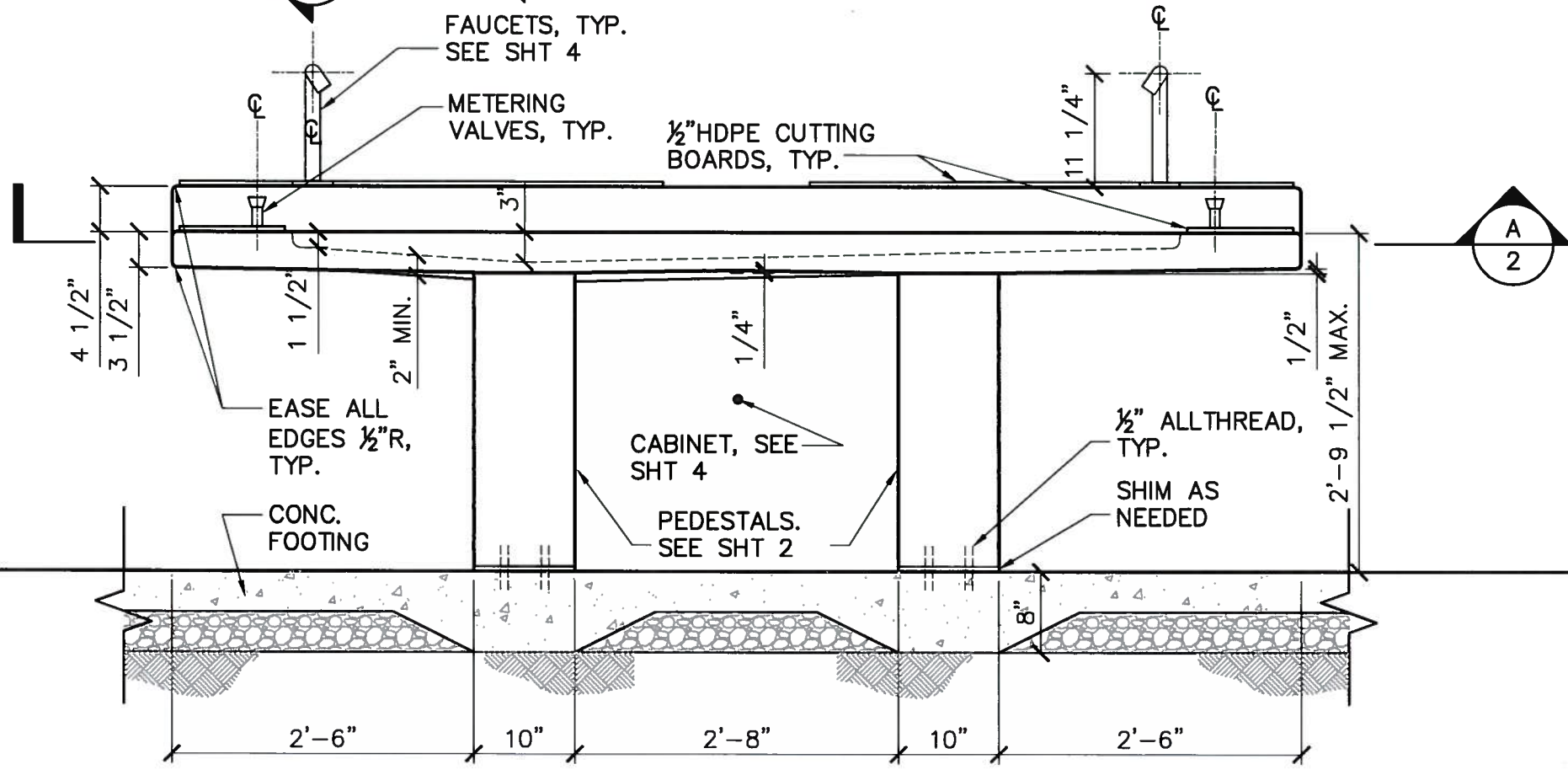


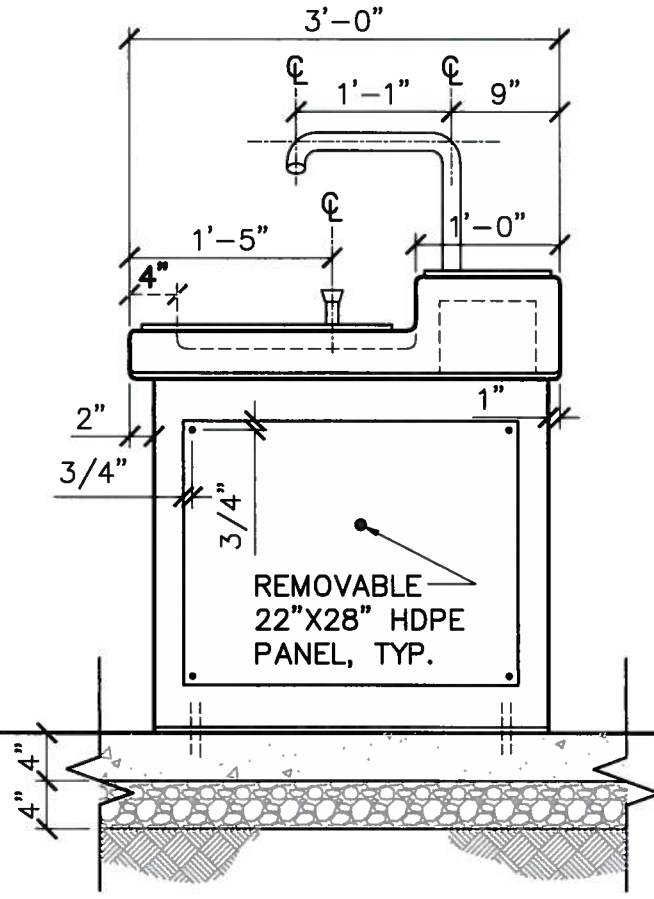
PLAN VIEW

**NOTE:**

1. SINK AND PEDESTALS ARE PRECAST CONCRETE. USE BUDDY RHODES COUNTER TOP CONCRETE MIX WITH INTEGRAL COLORS, CAL-TAN C-63 3#, FROM MATCRETE.
2. ADD PAMI 1/4" AGGREGATE TO SINK MIX, NONE ADDED TO PEDESTALS. CONCRETE IS REINFORCED WITH POLYVINYL ALCOHOL (PVA) FIBERS IN THE FOLLOWING RATIO; SINK: 2 LBS KURALON RF4000 FIBERS WITH 1 LB KURALON RSC15 FIBERS PER 6 OR 7 CF OF CONCRETE. PEDESTAL: 1/2 LBS KURALON RSC15-FIBERS PER 2 CF OF CONCRETE.
3. WET DIAMOND GRIND, FILL ALL HOLES, FINISH GRIND SINK TO 400 GRIT MIN, 800 GRIT INSIDE OF SINK. SEAL ALL EXPOSED SURFACES. FINISH GRIND PEDESTALS TO 200 GRIT MIN.
4. USE HIGH DENSITY POLYETHYLENE (HDPE) FOR COVER PANELS AND OPTIONAL CABINET, THE COLOR OF HDPE BOARD SHALL MATCH THE CONCRETE COLOR. USE " MARINE BOARD" HDPE FOR CUTTING BOARDS.
5. CONCRETE FOOTING SHOULD BE COMMERCIAL 5-SACK PRE-MIX CONCRETE OR EQUIVALENT.



FRONT ELEVATION

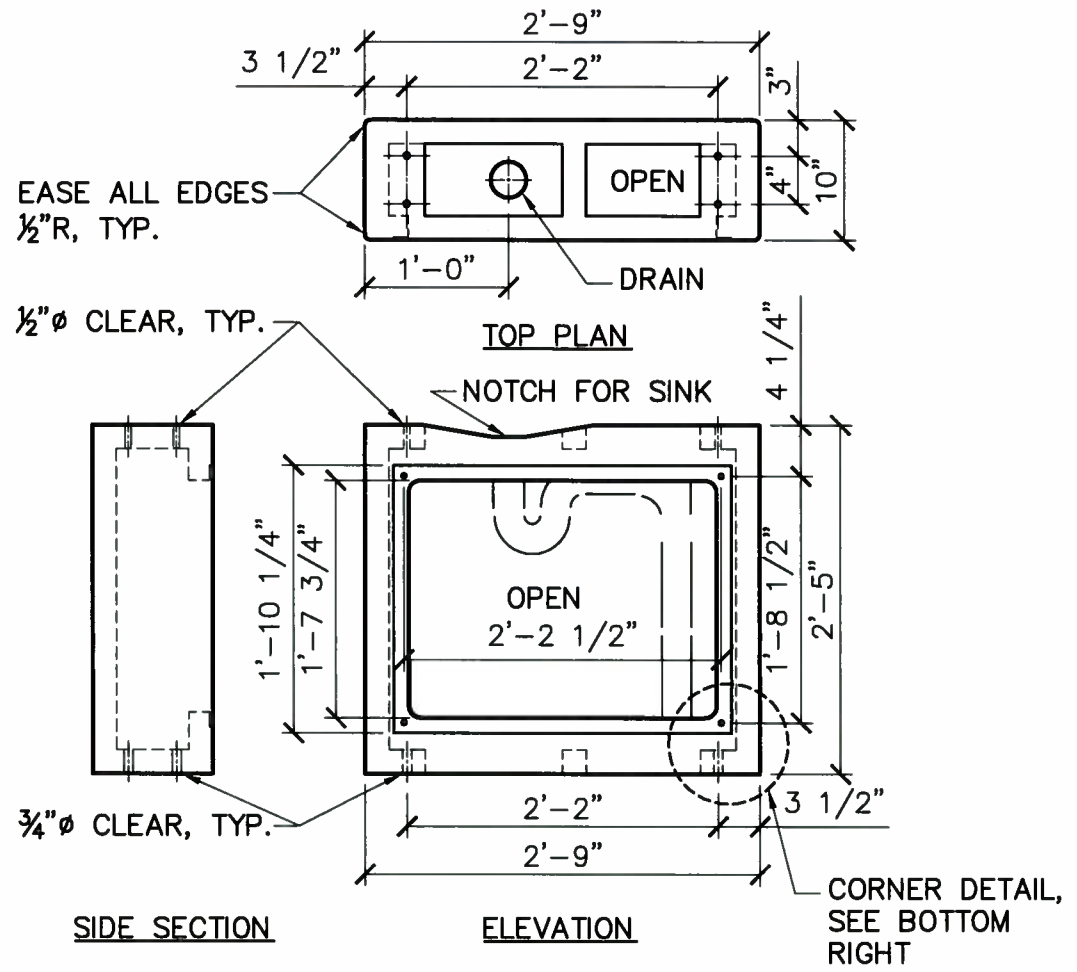


SIDE ELEVATION

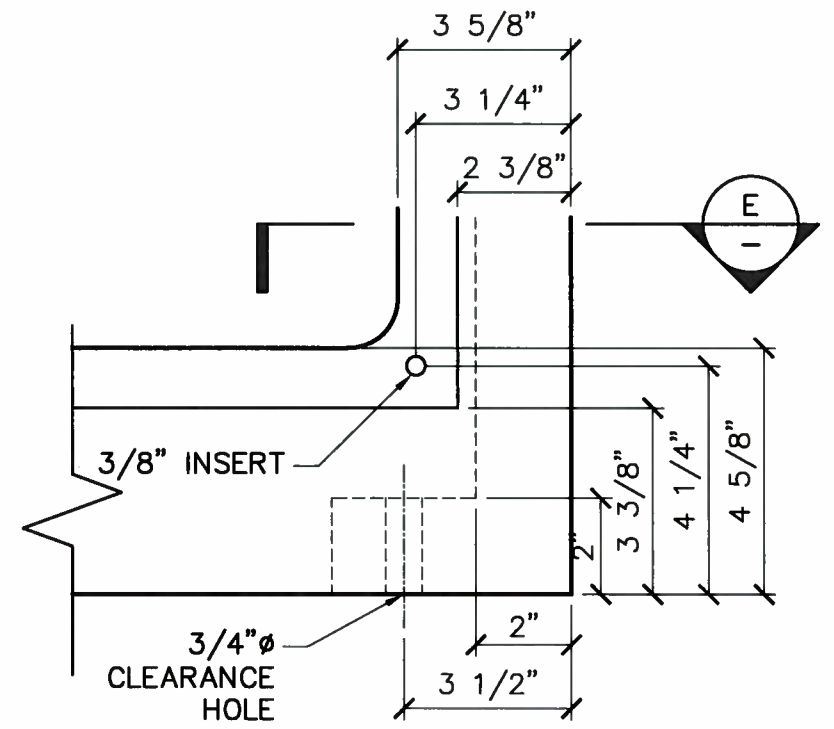
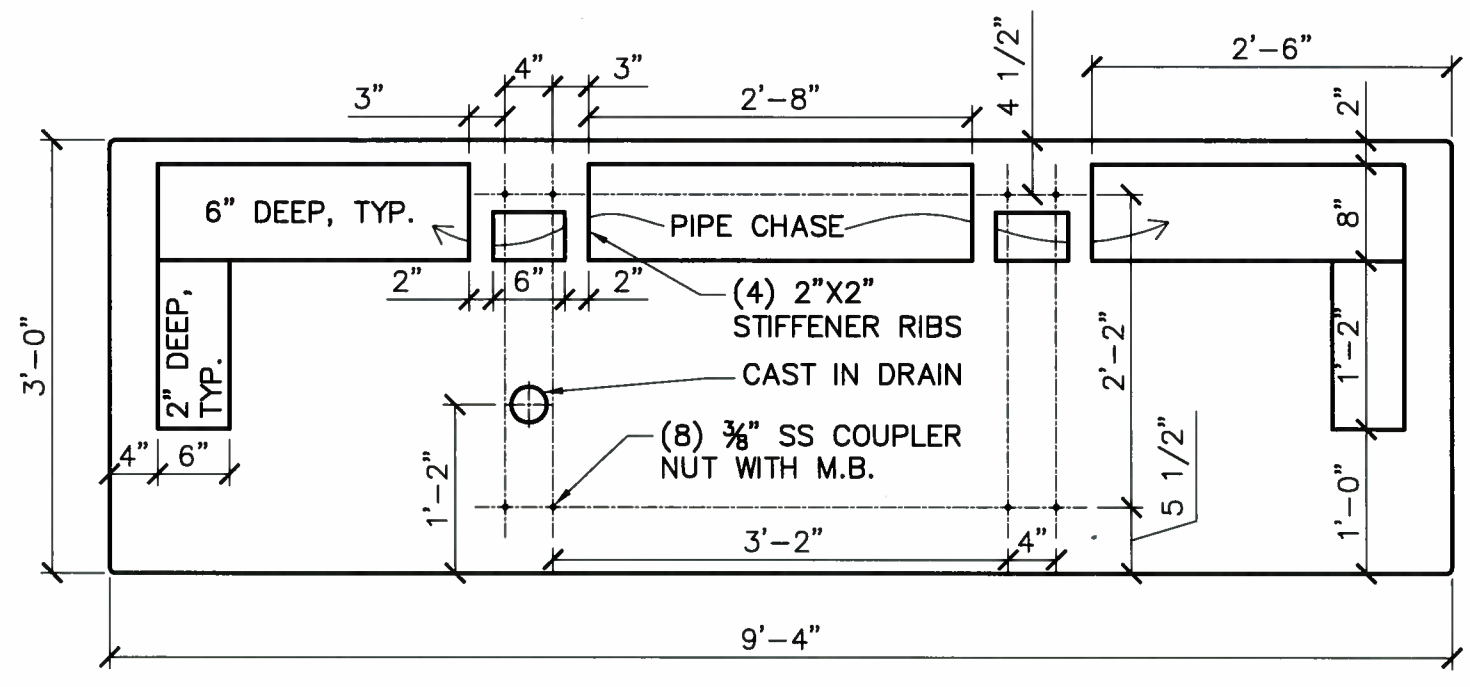
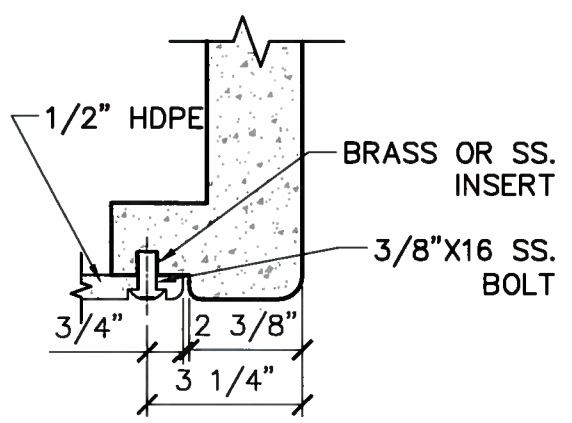
ADA FISH CLEANING STATION

STANDARD PLAN	518	SHEET 1 OF 4		NOT TO SCALE
APPROVED	<i>[Signature]</i>	DATE	07/06/2017	REVISIONS
REN BATES, RLA, CAPITAL PROGRAM MANAGER		DATE	7/10/17	ORIGINAL ISSUE
DRAWN	JY	CHECKED	RB	OPERATIONS
KEY	Δ			

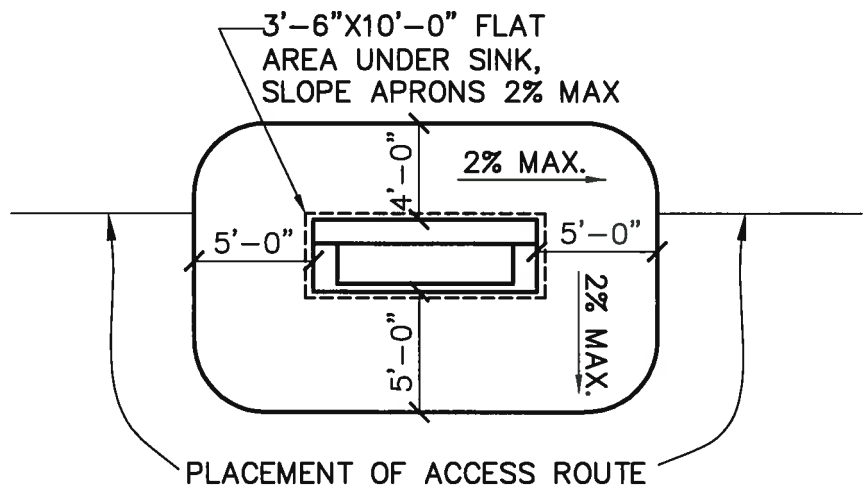




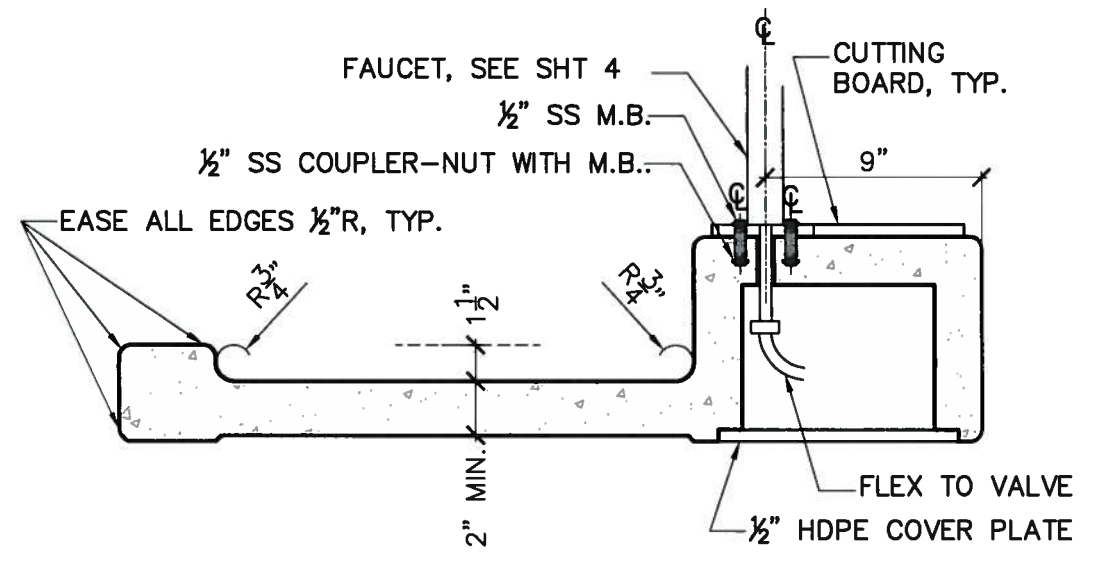
**PEDESTAL DETAILS (TOTAL 2)**



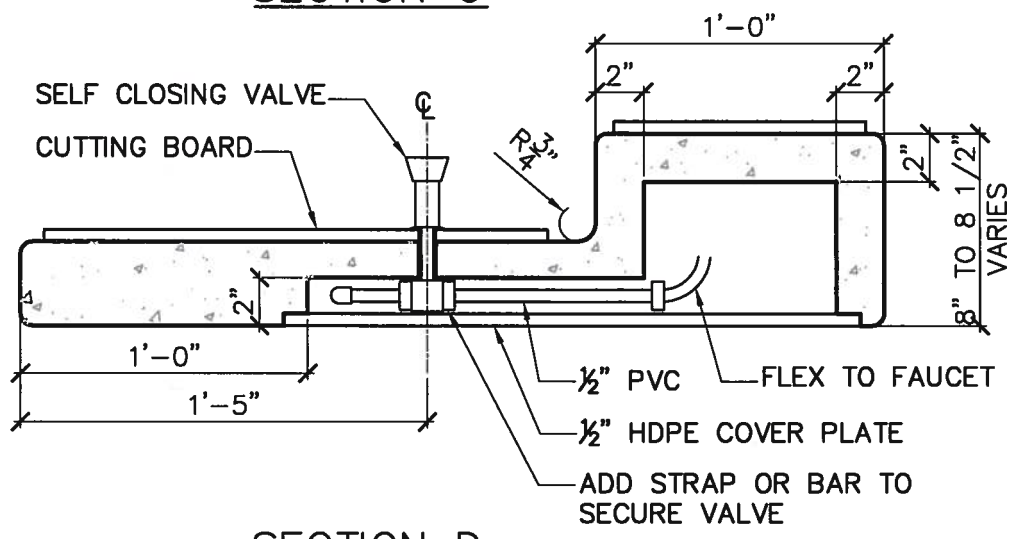
		<b>ADA FISH CLEANING STATION</b>		REVISIONS	DATE	APPROVED	STD PLAN
		KEY	ORIGINAL ISSUE	07/06/2017	REN BATES, P.L.A. CAPITAL PROGRAM MANAGER	518	SHEET 2 OF 4
DRAWN	JY	RB	OPERATIONS	DATE	7/10/17	NOT TO SCALE	
<b>EAST BAY REGIONAL PARK DISTRICT - STANDARD PLANS</b>							



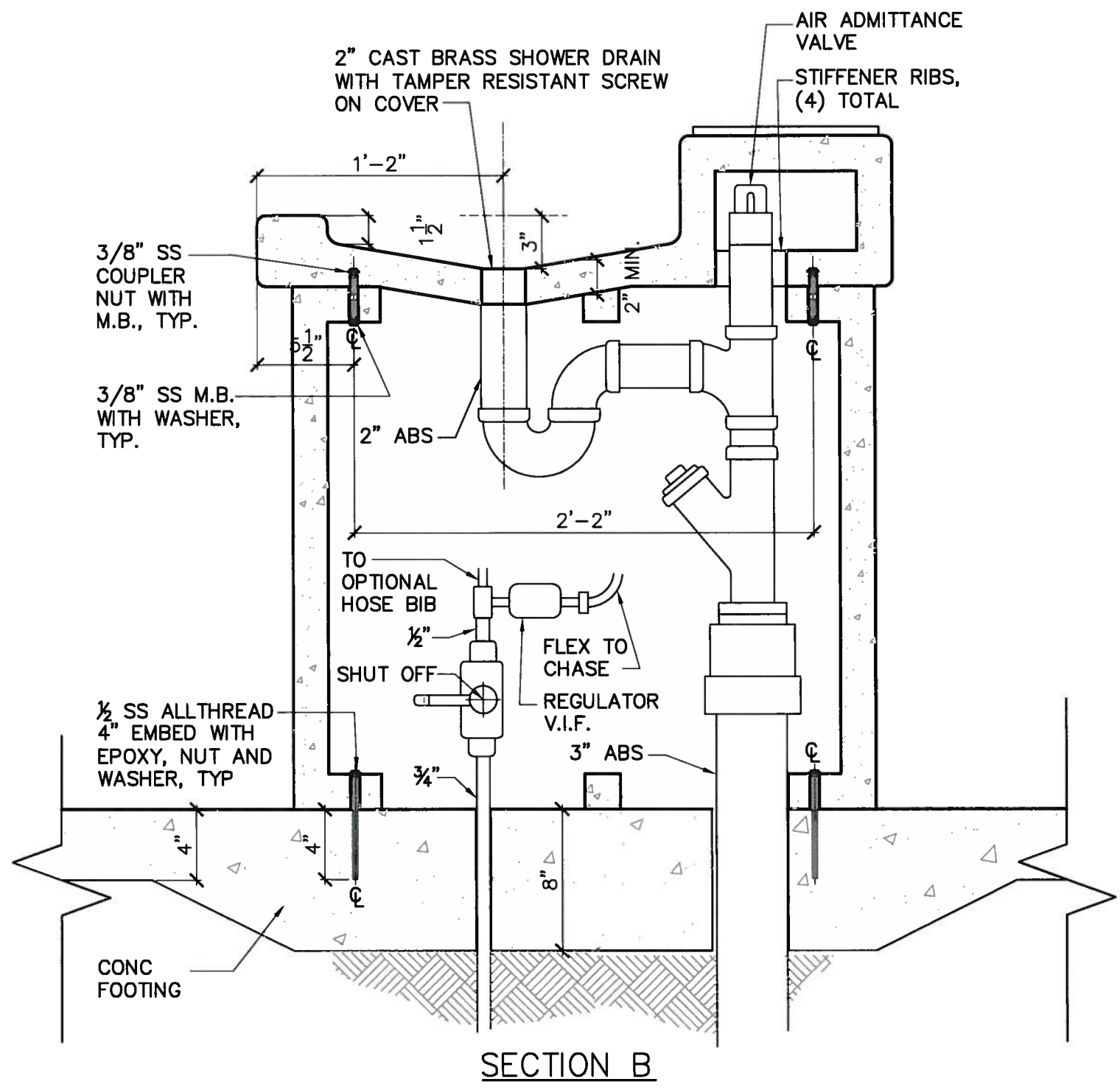
SITE LAYOUT PLAN



SECTION C

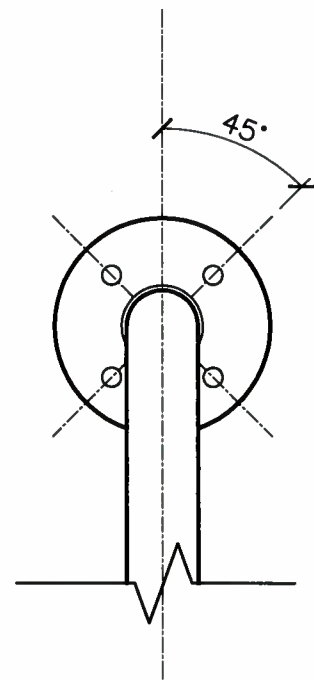


SECTION D

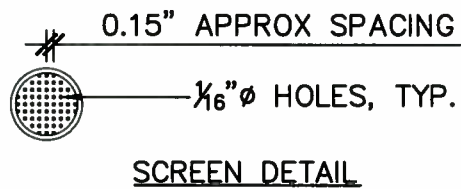


SECTION B

		<b>ADA FISH CLEANING STATION</b>		<b>STANDARD PLANS</b>	
DRAWN JY	CHECKED RB	REVISIONS ORIGINAL ISSUE	DATE 07/06/2017	APPROVED 	STD PLAN <b>518</b>
OPERATIONS			DATE 7/10/17	REN BATES, RLA, CAPITAL PROGRAM MANAGER	SHEET 3 OF 4 NOT TO SCALE



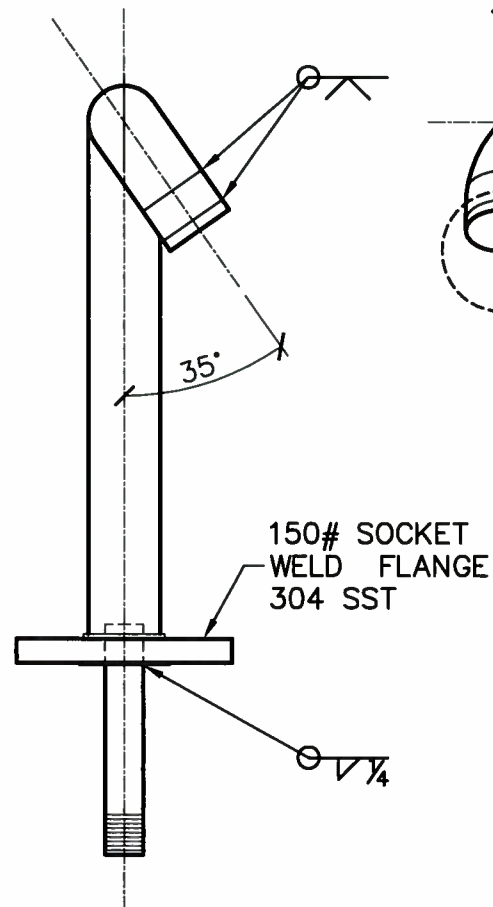
TOP VIEW



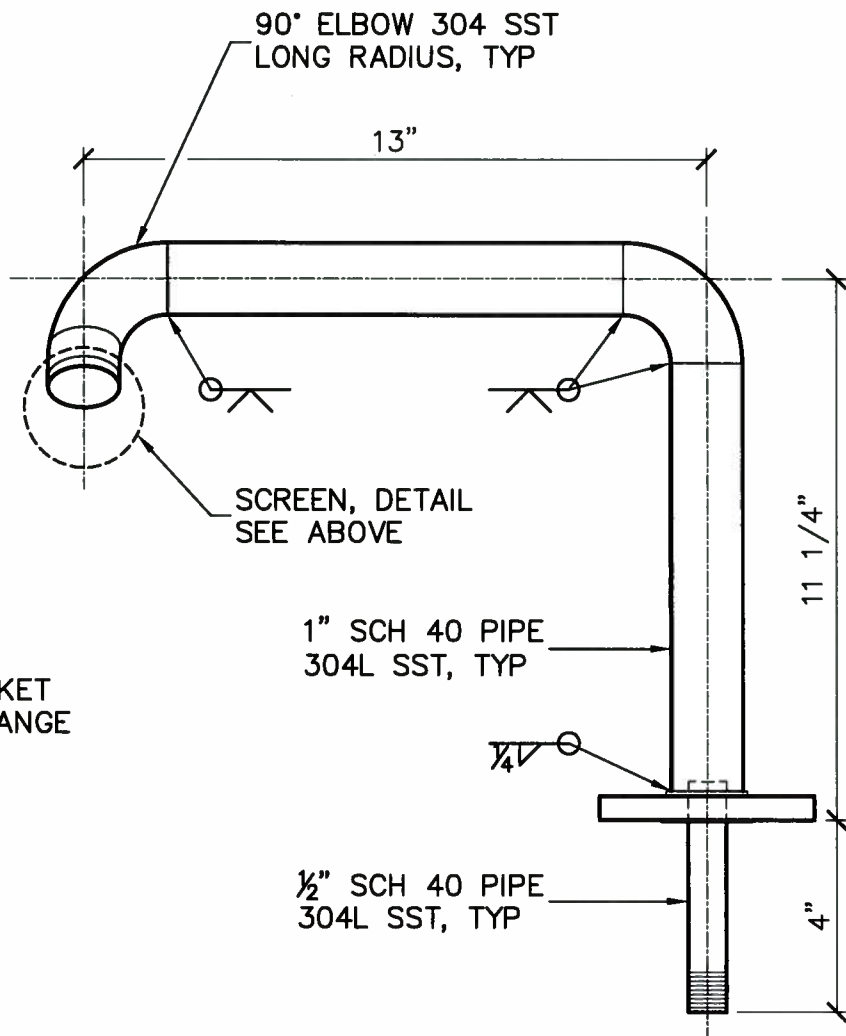
SCREEN DETAIL

**FAUCET NOTE:**

1. ALL PIPE WELDS TO BE GROUND FLAT, EXCEPT FILLET AT SOCKET FINISH TO BE STAINLESS STEEL WIRE BRUSHED. USE FRESH GRINDER AND BRUSH.
2. MAKE TWO, ONE LEFT, ONE RIGHT PER SINK.
3. "SOCKET" FLANGE SHOWN, "LAP" OR "SLIP ON" ACCEPTABLE.

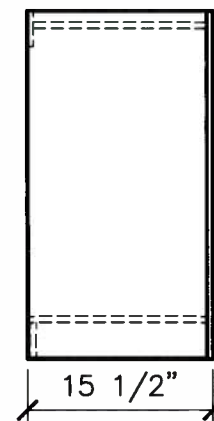


FRONT VIEW  
(LEFT FAUCET)

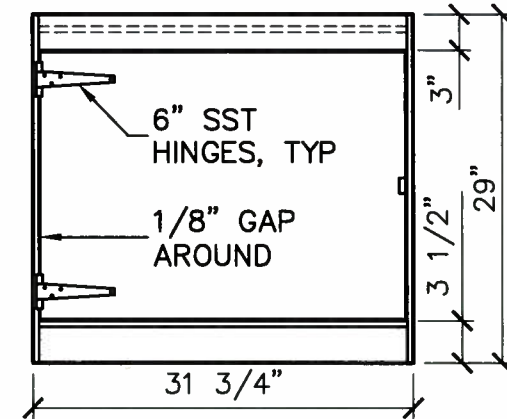


SIDE VIEW

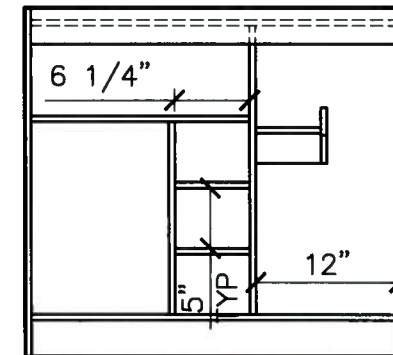
**FAUCET DETAILS  
(TOTAL 2)**



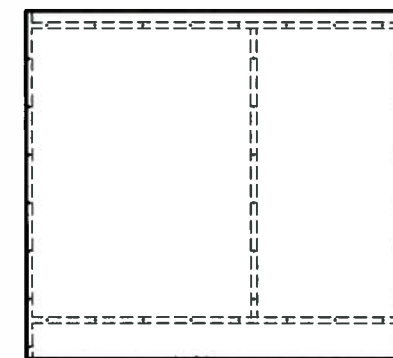
SIDE



FRONT



INSIDE



BACK

**CABINET DETAILS**

**ADA FISH CLEANING STATION**

REVISIONS	DATE	APPROVED
KEY	07/06/2017	<i>[Signature]</i>
JY		REN BATES, RLA, CAPITAL PROGRAM MANAGER
CHECKED		DATE 7/11/17
RB		
OPERATIONS		

STD PLAN  
**518**  
SHEET 4 OF 4  
NOT TO SCALE

**EAST BAY REGIONAL PARK DISTRICT - STANDARD PLANS**

